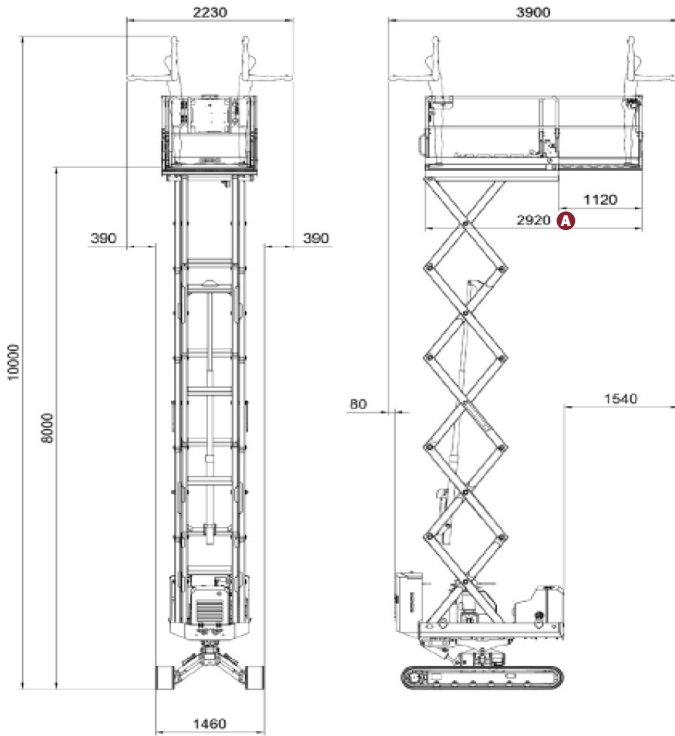


## SCISSOR LIFT 10m BI-LEVELLING ATHENA



- ✓ Outdoor use
- ✓ Work on inclines
- ✓ 4WD
- ✓ Diesel rough terrain

### MEASUREMENTS

Working height max	10 m
Platform height max	8 m
Extendable deck	Yes
Folding Rails	Yes
<b>A</b> Platform length - outside / extended	1.8 m / 2.92 m extended deck
<b>B</b> Platform width	1.3 m
<b>C</b> Width	1.64 m tracks out, 1.46 m tracks in
<b>D</b> Length	2.29 m overall length 2.92 m with deck extended
<b>E</b> Height stowed - rails up / rails folded	2.94 m tracks in, 2.61 m tracks out /2.09 m tracks in, 2.42 m tracks out

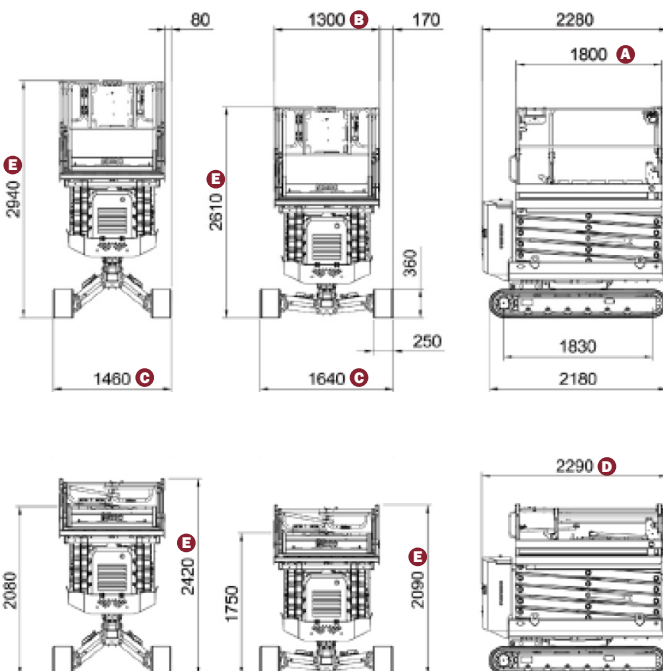
Wheelbase	na
Ground clearance - center	na

### PRODUCTIVITY

Lift capacity	300 kg
Lift capacity - extension deck	300 kg
Gradeability	46.63% (25°)
Levelling	Automatic self-levelling on both axis
Max outrigger levelling	15° front, 20° back 14° side to side
Max drive height	7 m
Speed	2.4 km/h
Raise / lower speed	45 / 40 s
Turning radius - inside / outside	0°
Power cord to platform	Power supply to the platform
Tyres	Rough terrain tracks
Charge / Fuel	Diesel (36L)
Drive	4WD
<b>MACHINE WEIGHT</b>	2,900 kg

### SAFETY FEATURES

Fire extinguisher	Yes
-------------------	-----



\* Specifications are indicative only and may vary depending on model.

