

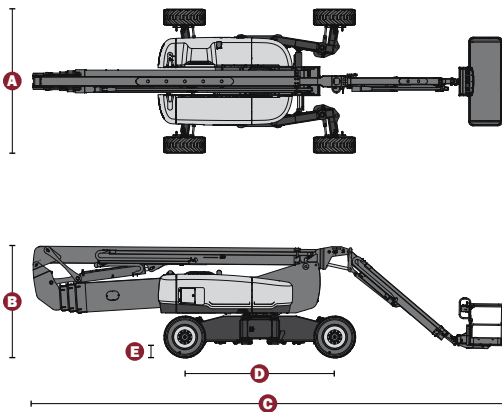
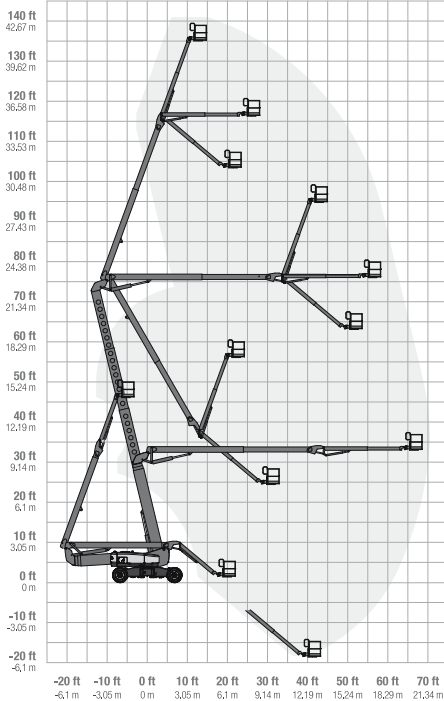
DURALIFT

ELEVATED WORK PLATFORM HIRE

SPECIFICATION SHEET

KNUCKLE BOOM

43m/135ft DIESEL



SPECIFICATIONS

MEASUREMENTS

| | |
|--------------------------------------|--|
| Working height | 43.15 m |
| Platform height | 41.15 m |
| Horizontal reach - Riser extended | 18.03 m |
| - Riser retracted | 21.26 m |
| Up & over clearance - Riser extended | 23.01 m |
| - Riser retracted | 9.91 m |
| Platform capacity | 272 kg |
| Platform rotation | 160° |
| Jib rotation - Vertical | 110° |
| Platform size | 0.91 x 2.44 m or 0.76 x 1.83 m (depending on model) |
| A Width - overall | 2.49 - 3.94 m |
| B Height - stowed | 3.09 m |
| C Length - stowed | 12.93 m |
| D Wheelbase | 4.11 m |
| E Ground clearance | 38 cm |

PRODUCTIVITY

| | |
|--------------------------|-----------------|
| Drive speed - Lowered | 4.8 km/h |
| - Elevated | 1.1 km/h |
| Turning radius - Outside | 6.17 - 9.96 m |
| - Inside | 2.90 - 8.03 m |
| Swing | 360° Continuous |
| Platform rotation | 160° |
| Gradeability | 45% |

AC power cord to Platform

POWER

| | |
|---------------|---------|
| Engine | Diesel |
| Fuel capacity | 151.4 L |

WEIGHT

| | |
|--------|-----------|
| Weight | 21,092 kg |
|--------|-----------|