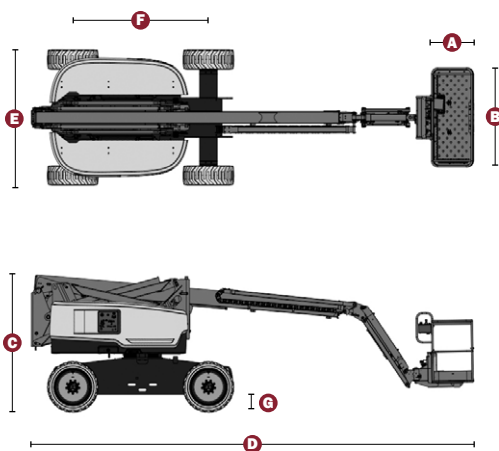
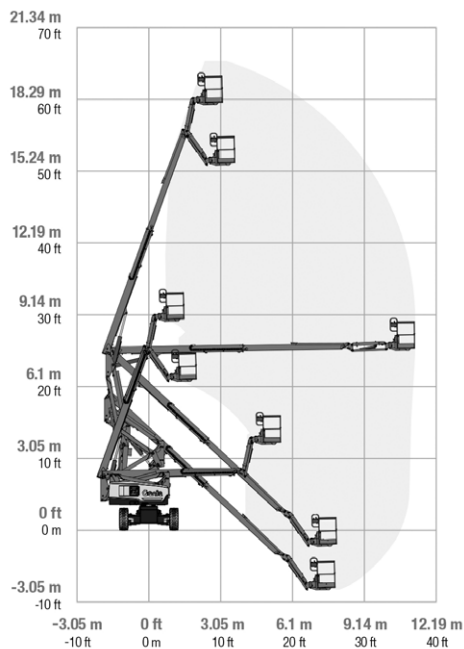


ELEVATED WORK PLATFORM HIRE

SPECIFICATION SHEET

KNUCKLE BOOM

20m/60ft ELECTRIC



SPECIFICATIONS

MEASUREMENTS

Working height	20.16m
Platform height	18.16 m
Horizontal reach	11.15 m
Up and over clearance - at platform	7.39 m
A Platform length	91 cm
B Platform width	2.44 m
C Height - stowed	2.54 m
D Length - stowed	8.15 m
E Width	2.49 m
F Wheelbase	2.49 m
G Ground clearance	33 cm

PRODUCTIVITY

Lift capacity	227 kg
Swing	355° non continuous
Platform rotation	160°
Drive speed - Lowered	6.4 km/h
- Elevated	1.0 km/h
Gradeability	45%
Turning radius - Outside	5.69 m
- Inside	2.51 m

Tyres - rough terrain non-marking

AC power cord to platform

POWER

Engine	Electric
--------	----------

WEIGHT

Weight	7,686 kg
--------	----------