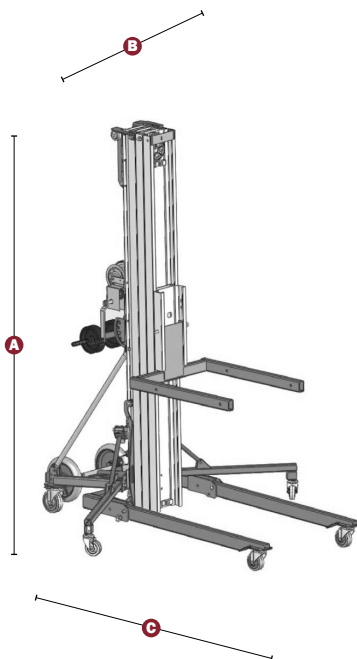


DUCTLIFT 18ft & 24ft

- ✓ Ideal for air conditioners and ducting work
- ✓ Suitable for construction and industrial applications



	18ft	24ft	
WORKING HEIGHT			
Standard forks - down/ up	5.1 - 5.64 m	6.78 - 7.32 m	
Adjustable forks - down/ up	5.1 - 5.64 m	6.78 - 7.32 m	
MEASUREMENTS			
A Height stowed	2.18 m	2.18 m	
B Width	0.8 m	0.8 m	
	(1.68 m stabilisers lowered)	(1.68 m stabilisers lowered)	
C Length	0.86 m	0.86 m	
Length operating	1.85 m	2.06 m	
Ground clearance	0.05 m	0.05 m	
Load height - min	0.15 m	0.15 m	
MACHINE WEIGHT			
	139 kg	170 kg	
LIFT CAPACITY			
0.36 m load centre	295 kg	295 kg	
0.61 m load centre	193 kg	193 kg	
1.07 m load centre	73kg	73kg	
ATTACHMENTS AVAILABLE			
Standard forks	- length - width - depth - weight	0.71 m 0.58 m 0.06 m 12 kg	0.71 m 0.58 m 0.06 m 12 kg
Adjustable forks	- length - width - depth - weight	0.70 m 0.28 - 0.76 m 0.06 m 24 kg	0.70 m 0.28 - 0.76 m 0.06 m 24 kg
Fork extensions (each)	- length - width - depth - weight	0.76 m 0.05 m 0.08 m 2 kg	0.76 m 0.05 m 0.08 m 2 kg
Boom	- length - width - depth - weight	0.46 - 1.07 m 0.04 m 0.15 m 16 kg	0.46 - 1.07 m 0.04 m 0.15 m 16 kg
Pipe cradle	- length - width - depth - weight	0.70 m 0.61 m 0.15 m 4.5 kg	0.70 m 0.61 m 0.15 m 4.5 kg
Load platform	- length - width - depth - weight	0.67 m 0.58 m 0.06 m 12 kg	0.67 m 0.58 m 0.06 m 12 kg

* Specifications are indicative only and may vary depending on model.