

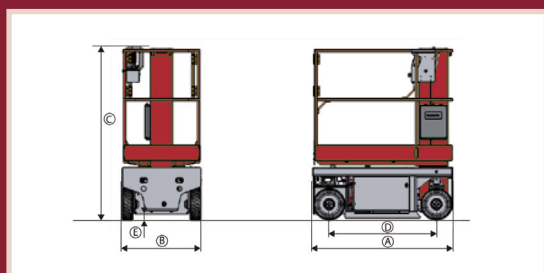
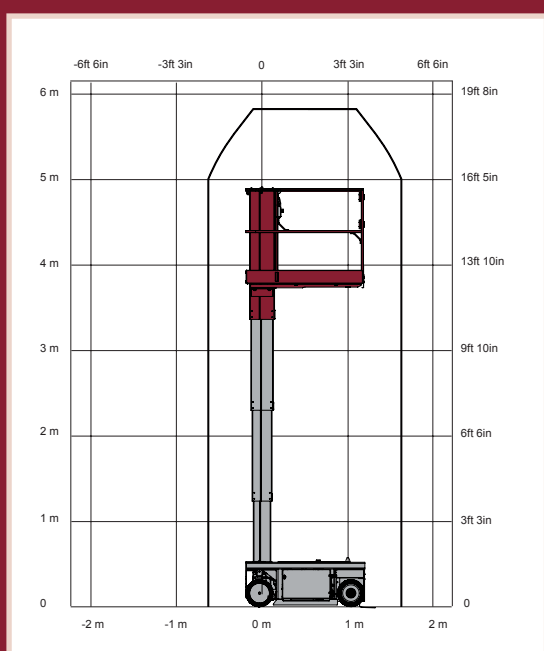
ELEVATED WORK PLATFORM HIRE

SPECIFICATION SHEET

MAST LIFT

5.8m/Star 6

SPECIFICATION



MODELS	VERTICAL MASTS STAR 6
MEASUREMENTS	Metric
Working height	5.8 m
Platform height	3.8 m
Lift capacity	230 kg
Platform size	0.77 x 1.38 m
A Length	1.4 m
B Width	0.79 m
C Height - stowed	1.75 m
D Wheelbase	1.06 m
E Ground clearance	6 cm
Drive speed proportional	0.8 - 4.5 km/h
Turning radius - outside	1.7 m
Tilt alarm	1.5 ° / 3 °
Gradeability	25 %
Driveable at full height up to	3.8 m
Hydraulic system capacity	5 l
Tires - non marking	308 x 108
Power source	12V - 105 Ah (C5)
Weight	835 kg

