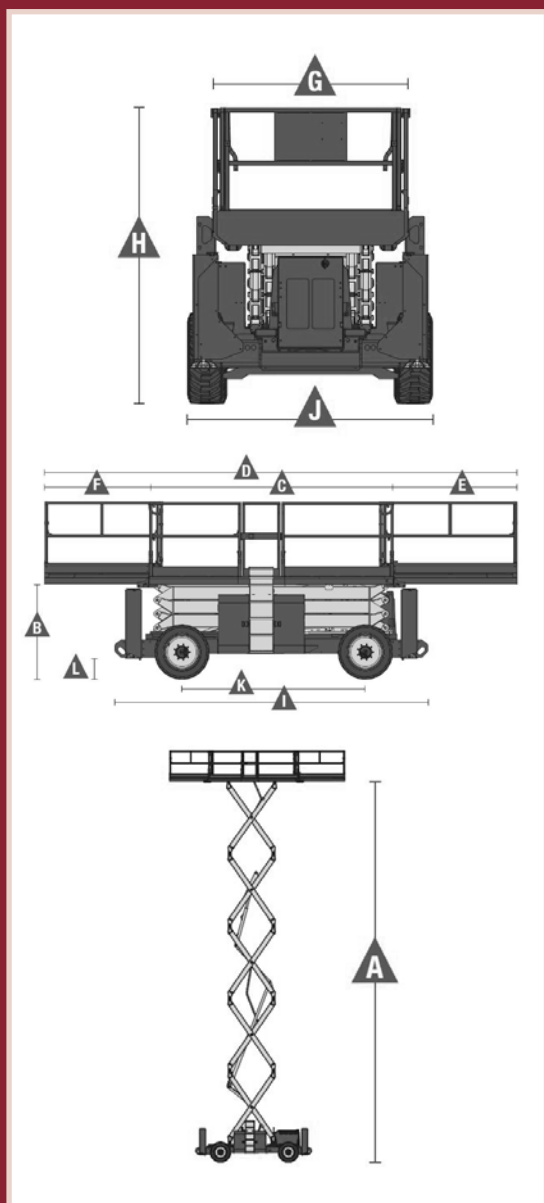


ELEVATED WORK PLATFORM HIRE

## SPECIFICATION SHEET

# SCISSOR LIFT

15m/43ft DIESEL



## SPECIFICATIONS

### MEASUREMENTS

|  |         |
|--|---------|
| Working height max                                 | 15.11 m |
| <b>A</b> Platform height max                       | 13.11 m |
| <b>B</b> Platform height - stowed                  | 1.80 m  |
| <b>C</b> Platform length:                          | 3.98 m  |
| outside, extended-single deck                      | 5.34 m  |
| <b>D</b> outside, extended-dual deck               | 6.57 m  |
| <b>E</b> Slide-out platform extension deck - front | 1.52 m  |
| <b>F</b> Slide-out platform extension deck - rear  | 1.22 m  |
| <b>G</b> Platform width - outside                  | 1.83 m  |
| <b>H</b> Height: stowed                            | 2.93 m  |
| stowed - rails lowered                             | 2.25 m  |
| <b>I</b> Length with outriggers                    | 4.88 m  |
| Length - extended: single deck                     | 5.4 m   |
| dual deck  | 6.57 m  |
| <b>J</b> Width                                     | 2.29 m  |
| <b>K</b> Wheelbase                                 | 2.84 m  |
| <b>L</b> Ground clearance - center                 | .36 m   |

### PRODUCTIVITY

|   |             |
|---|-------------|
| Maximum platform occupancy                | 7           |
| Lift capacity                             | 680 kg      |
| Capacity - extension deck                 | 227 kg      |
| Drive height                              | full height |
| Speed - stowed                            | 8.0 km/h    |
| Drive speed - raised                      | 1.1 km/h    |
| Gradeability - stowed                     | 50%         |
| Maximum outrigger leveling: front to back | 7°          |
| side to side                              | 12°         |
| Turning radius - inside                   | 2.16 m      |
| Turning radius - outside                  | 5.33 m      |
| Drive                                     | four wheel  |
| Raise / lower speed                       | 45 / 39 sec |
| Tires - foam-filled rough terrain         | 30 x 84 cm  |

### WEIGHT

|                 |         |
|-----------------|---------|
| with outriggers | 6641 kg |
|-----------------|---------|

