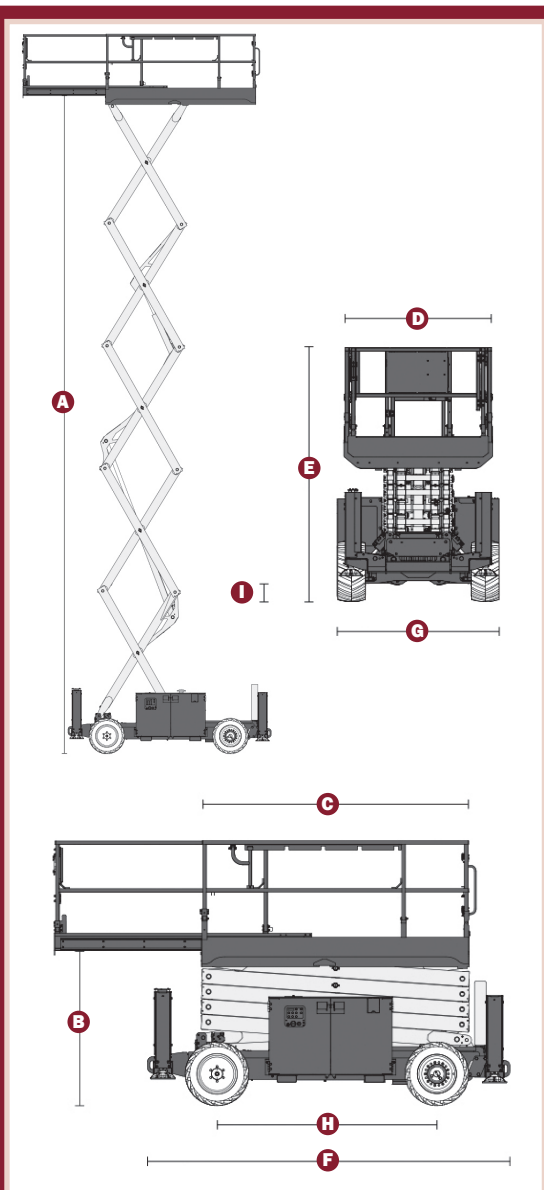


ELEVATED WORK PLATFORM HIRE

SPECIFICATION SHEET

SCISSOR LIFT

10m/26ft WIDE BI-ENERGY



SPECIFICATIONS

MEASUREMENTS

Working height maximum	9.70 m
A Platform height maximum	7.70 m
B Platform height - stowed	1.47 m
C Platform length - outside	2.79 m
extended	4.31 m
Slide-out platform extension deck	1.52 m
D Platform width - outside	1.60 m
E Height - stowed	2.59 m
F Length - stowed with outriggers	3.76 m
G Width	1.75 m
H Wheelbase	2.29 m
I Ground clearance - centre	0.24 m

PRODUCTIVITY

Lift capacity	680 kg
Drive at full height	
Drive speed - stowed	7.2 km/h
- raised	0.5 km/h
Gradeability - uphill stowed	35%
Maximum Outrigger leveling:	
front/back uphill	5.3° / 4.2°
side to side	11.7°
Turning radius - inside	2.11 m
- outside	4.60 m
Raise/lower speed	34 / 31 sec
Drive	two wheel
Tyres - rough terrain non-marking	0.30 x 0.66 m

POWER

Power Source	48V DC
--------------	--------

WEIGHT

With Outriggers	4,146 kg
-----------------	----------