

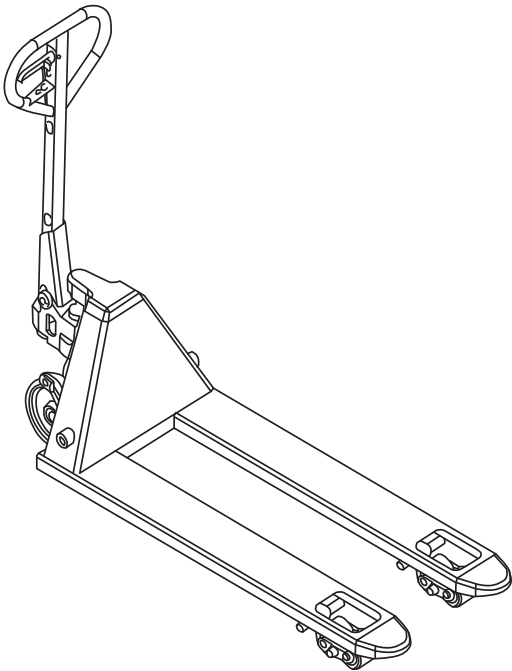
ELEVATED WORK PLATFORM HIRE

SPECIFICATION SHEET

PALLET JACK

2.5tonne / DF 25

Hand Operated
Pallet Jack



SPECIFICATIONS

MEASUREMENTS	
Load Capacity	2,500 kg
Lift	115 mm
Overall Length	1,540 mm
Overall Width	685 mm
WEIGHT	
Weight	75 kg

Strong torsion-resistant steel construction.

5 pumps to maximum height, once pallet is reached standard pumps apply.

For use with standard size pallets.

Lead in/Lead-out rollers under the fork tips enabling pallets to be entered with ease.