

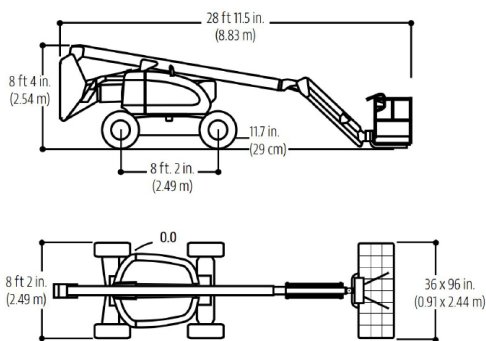
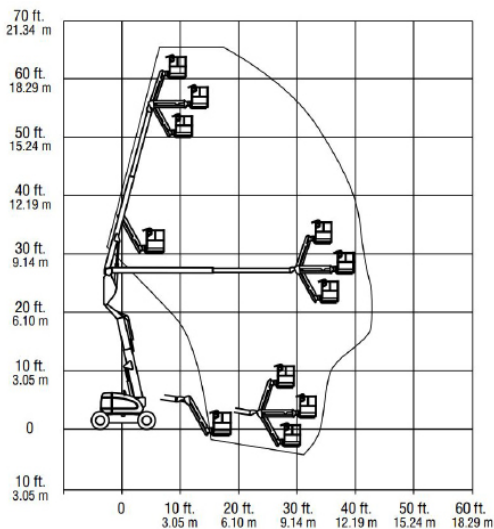
DURALIFT

ELEVATED WORK PLATFORM HIRE

SPECIFICATION SHEET

KNUCKLE BOOM

20m/60ft DIESEL



SPECIFICATIONS

MEASUREMENTS

Platform Height	18.29m
Working Height	20.29
Platform Rotation Angle	180 Degrees
Jib Raise Angle	70 Degrees
Jib Lower Angle	65 Degrees
Jib Range of Articulation	135 Degrees
Maximum Horizontal Outreach	12.12m
Platform Capacity	230 kg
Slewing Angle	360 Degrees Continuous
Max Ground Bearing Pressure	5.25 k g / cm 2 (75 psi)
Drive Speed	7.68 km/h
Gradeability 4WD	45%
Turning Radius - Inside	1.68
outside	3.56

PRODUCTIVITY

Stowed Length	8.83 m
Stowed Height	2.57 m
Overall Width	2.44 m
Wheelbase	2.44 m
Ground Clearance	0.30 m
Platform Width	2.44 m
Platform Length	0.91 m
Overall Jib Length	1.83 m

POWER

Diesel fuel Tank Capacity	113.56 L
---------------------------	----------

WEIGHT

Weight	11,900 kg
--------	-----------



www.duralift.com.au



1 300 580 580