

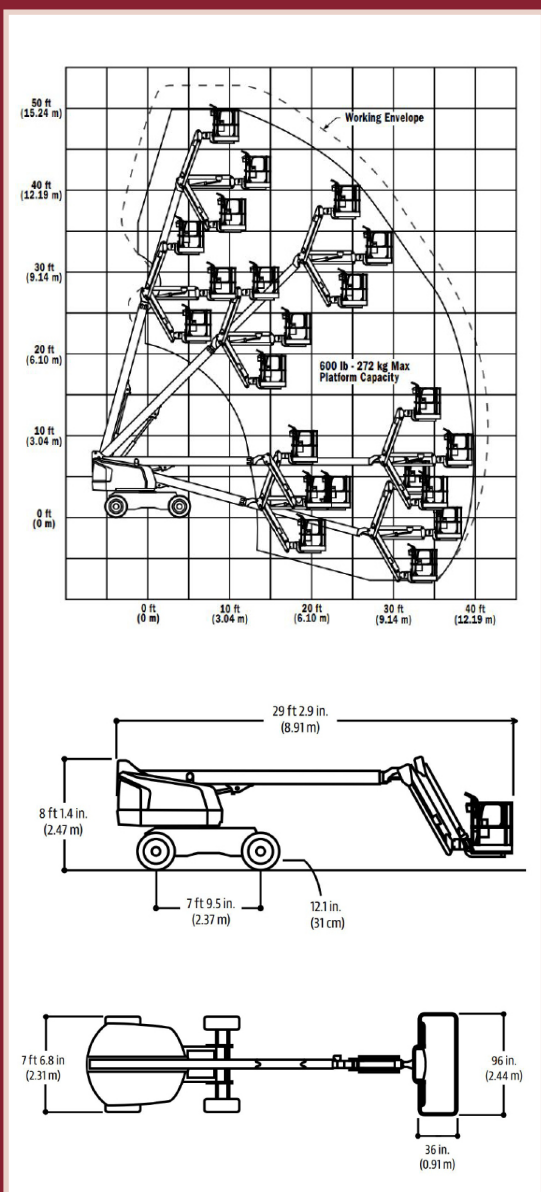
DURALIFT

ELEVATED WORK PLATFORM HIRE

SPECIFICATION SHEET

STRAIGHT BOOM

16m/46ft DIESEL



SPECIFICATIONS

MEASUREMENTS	
Platform Height	14.02 m
Working Height	16.02
Horizontal Outreach	12.34 m
Swing	360 Degrees Continuous
Platform Capacity	230 kg
Platform Rotator	180 Degrees Hydraulic
Jib (Range of Articulation)	130 Degrees
Lift/Lower Speed	29/22 seconds
Platform Size	0.91 x 2.44 m
Overall Width	2.30 m
Tail swing	86 cm
Stowed Height	2.39 m
Stowed Length	8.84 m
Wheelbase	2.34 m
Ground Clearance	32cm
PRODUCTIVITY	
Drive Speed 2WD/4WD	7.2 km/h
Gradeability	45%
Turning Radius: Inside	2.01 m
Outside	5.3 m
Max. Ground Bearing Pressure	58 psi (4.06 kg/cm ²)
Tire Size:	12 x 16.5 Pneumatic
WEIGHT	
Weight	7,930 kg