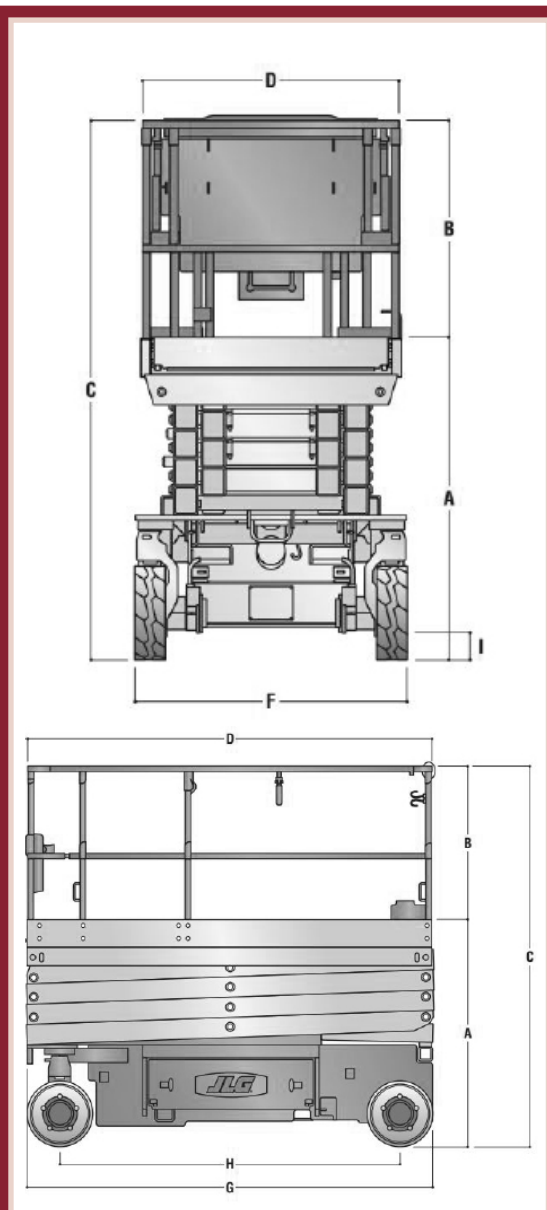


ELEVATED WORK PLATFORM HIRE

SPECIFICATION SHEET

SCISSOR LIFT

10m/26ft NARROW ELECTRIC



SPECIFICATIONS

MEASUREMENTS

Platform Height	7.75m
Working Height	9.75
A Platform Height - Lowered	1.23 m
B Platform Railing Height	1.10m
C Stowed Height (Rails Lowered)	1.94m
D Platform Width	76 cm
F Overall Width	.76 m
G Overall Length	2.3 m
Platform Length	2.30 m
Deck Extension	90 cm
Height (Rails Up)	2.33m
H Wheelbase	1.88 m
I Ground Clearance	.09m

PRODUCTIVITY

Max Platform Weight Capacity	230 kg
Turning Radius :Outside	2.06 m
Elevated Drive Time	18 hrs
Hdraulic system fluid capacity	4.73 L
Lift Time	40 sec
Lower Time	40 sec
Tyre fill/Type	Solid, Non-marking

POWER

System Voltave	48V
Number of Batteries	4

WEIGHT

2200 kg

