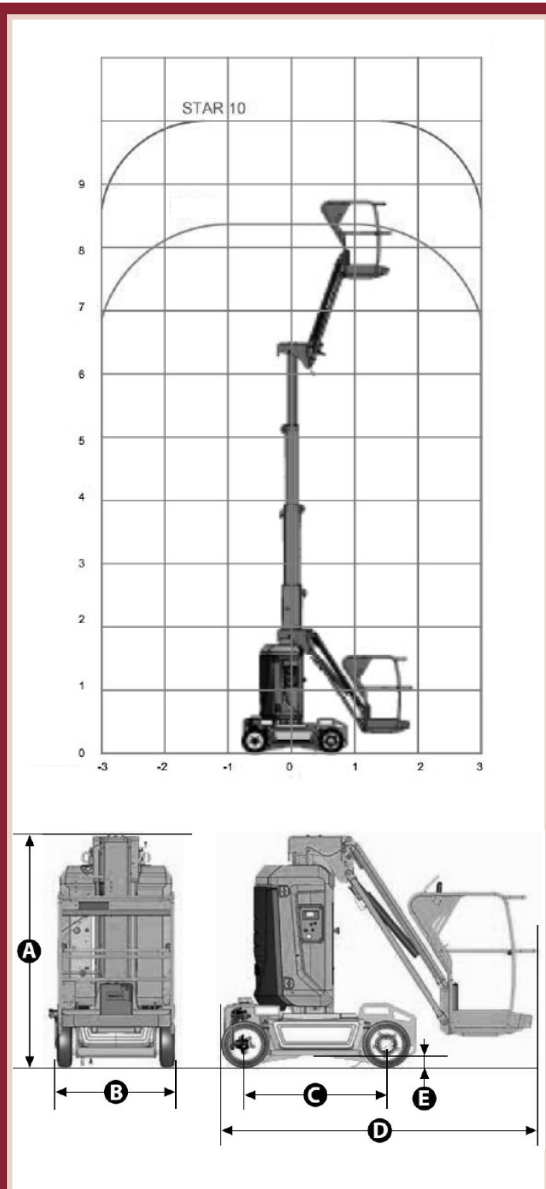


ELEVATED WORK PLATFORM HIRE

## SPECIFICATION SHEET

### MAST LIFT

10m/STAR 10



## SPECIFICATIONS

### MEASUREMENTS

Working Height	10 m
Platform Height	8 m
Horizontal outreach	3 m
Platform Capacity	200 kg
<b>D</b> Length	2.65m
<b>B</b> Width	1 m
<b>A</b> Stowed Height	1.99 m
<b>C</b> Wheelbase	1.2 m
<b>E</b> Ground Clearance	2.5 cm to 10 cm
Platform size	0.70 x 0.99 m
Tailswing	0

### PRODUCTIVITY

Drive speed	0.7 - 4.5 km/h
Outside turning radius	1.88 m
Rotation	345°
Gradeability	23%
Tilt alarm	3°
Non marking tyres	16" x 5" x 10.5"

### POWER

Traction batteries	24 V (2 x 12 V)
--------------------	-----------------

### WEIGHT

Weight	2760 kg
--------	---------

