

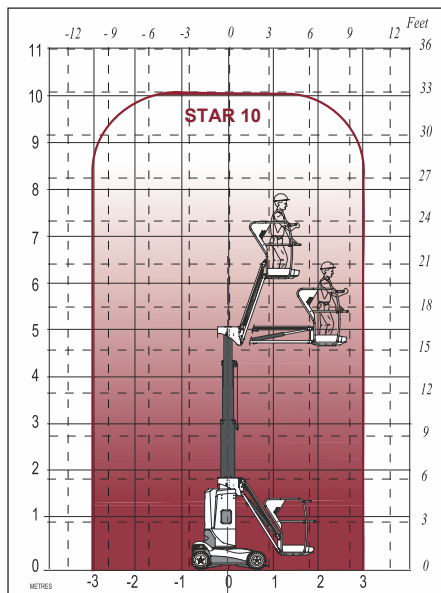
# DURALIFT

ELEVATED WORK PLATFORM HIRE

PHONE 1300 580 580

## SPECIFICATION SHEET

# STAR 10



### SPECIFICATIONS

	Star 10
Working Height	10 m / 32 ft 10 in
Platform Height	8 m / 26 ft 3 in
Horizontal outreach	3.1m / 10 ft 2 in
Platform Capacity	200 kg / 441 lb
Length	2,65m / 8 ft 8 in
Width	0.99m / 3ft 2in
Stowed Height	1.99 m / 6 ft 6 in
Wheelbase	1.2 m / 3 ft 11 in
Ground Clearance	2,5 cm à 10 cm / 1 in to 4 in
Platform size	0.92x0.68m / 36 in x 27 in
Tailswing	0
Drive speed	0.7 - 4.5 km/h / 0.43 - 2.8 mph
Outside turning radius	1.87m / 6ft 1 in Turntable
Rotation	345°
Traction batteries	24 V (2 x 12 V) / 240 Ah
Gradeability	23%
Tilt alarm	3°
Non marking tyres	16" x 5" x 10,5"

### STANDARD FEATURES

- 24 V Electric motor
- 24 V –240 Ah traction batteries
- 30 Amp battery charger
- Battery charge indicator
- 2 drive speed
- 2 back driving wheels
- 2 front steering wheels
- Non marking tyres
- Free wheel device
- Hour meter
- Horn in cage
- Emergency stop buttons at cage and ground
- 2 Control stations, cage and ground

