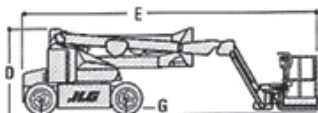
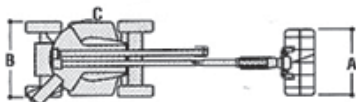
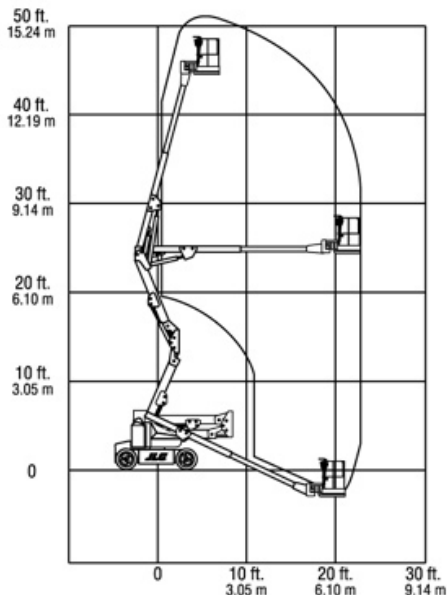


ELEVATED WORK PLATFORM HIRE

SPECIFICATION SHEET

KNUCKLE BOOM

15m/45ft ELECTRIC



SPECIFICATIONS

MEASUREMENTS

Platform Height (max.)	13.72m
Working Height	15.72m
Platform Width	1.52m
A Platform Length	0.76m
Platform Rotation Angle	180°
D Stowed Height	2.01m
B Overall Width	1.75m
Maximum Horizontal Outreach	7.24m
E Stowed Length	6.50m
Jib Raise Angle	86°
Jib Lower Angle	55°
Jib Articulation Range	141°
Slewing Angle	360°
Continuous Slew	No
Overall Jib Length	1.24m
C Wheelbase	2.01m
G Ground Clearance	0.22m
Tailswing	0m

POWER

Power Source	Electric DC
DC Voltage	48V
DC Power	370 Amp h

PRODUCTIVITY

Tyre Size	240/55-17.5
Tyre Type	Urethane Filled/Non-marking
Inside Turn Radius	0.61m
Outside Turn Radius	3.15m
Gradeability	30%
Platform Capacity	230kg
Hydraulic Tank Capacity	15 Ltr

WEIGHT

Operating Weight	6,670kg
------------------	---------

