

DURALIFT

ELEVATED WORK PLATFORM HIRE

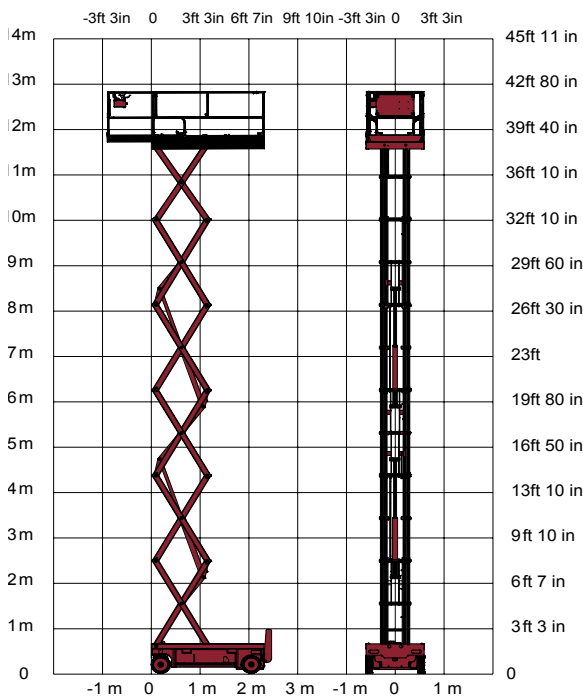
PHONE 1300 580 580


SPECIFICATION SHEET

C O M P A C T 1 4 E L E C T R I C

SCISSOR LIFT

Specifications



350 kg / 3x 
770 lbs

Working height	13.8 m
Platform height	11.8 m
Lift capacity	350 kg
A Platform length - outside	2.3
Platform length - extended	3.22 m
Length - extension	0.92
Platform width - outside	1.2 m
D Storage height	2.08
C Height - stowed	2.5 m
B Overall width	1.2 m
E Length	2.74 m
F Wheelb	1.86
G Ground clearance -	13
Ground clearance - Pothole guards deployed	2 cm
Drive speed	0.9 - 2.8
Driveable at full height up to	km/h 11.8
Gradeability	23
Tilt	2° /
Lift / lower speed	68 s / 54 s
Turning radius - outside	2.38
Tyres - non marking	15 x 5
Batteries	24 V - 255
Hydraulic system capacity	
Weight	3175

