

# DURALIFT

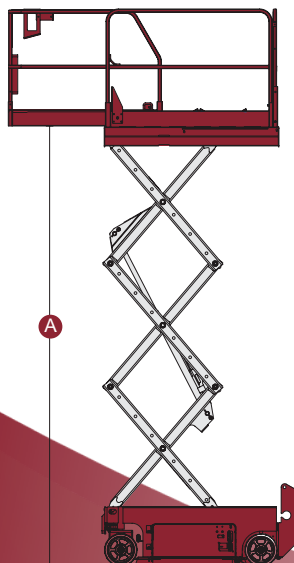
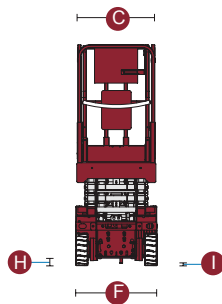
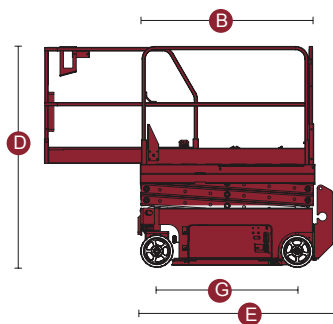
ELEVATED WORK PLATFORM HIRE

PHONE 1300 580 580

## SPECIFICATION SHEET

26ft ELECTRIC

# SCISSOR LIFT



## Specifications

MODELS	GS™-2646	
MEASUREMENTS		
Working height max*	7.9 m	26 ft
<b>A</b> Platform height max	6.1 m	20 ft
<b>B</b> Platform length - outside	226 cm	89 in
extended	318 cm	125 in
<b>C</b> Platform width - outside	115 cm	45.3 in
Guardrail height	1.09 m	3 ft 7 in
Roll-out platform extension	91 cm	36 in
Toeboard height	15 cm	6 in
Height - stowed: platform		103.5 m
<b>D</b> folding guardrails	213 cm	84 in
rails folded	155 cm	61 in
<b>E</b> Length - stowed	241 cm	95 in
extended	3.30 m	10 ft 10.5 in
<b>F</b> Width	117 cm	46 in
<b>G</b> Wheelbase	185 cm	73 in
<b>H</b> Ground clearance - centre	10 cm	4 in
<b>I</b> - with pothole guards deployed	1.9 cm	0.75 in

PRODUCTIVITY		
Lift capacity	544 kg	1,200 lbs
Drive speed - stowed	3.7 km/h	2.2 mph
Drive speed - raised	0.8 km/h	0.5 mph
Gradeability	30%/16.7°	30%/16.7°
Turning radius - inside	zero	zero
Turning radius - outside	229 cm	90 in
Raise / lower speed	30 / 28 sec	30 / 28 sec
Controls	proportional	
Drive	dual front wheel	
Multiple disc brakes	dual rear wheel	
Tyres - solid non-marking	38 x 13 x 28 cm 15 x 5 x 11 in	

POWER		
Power source	24 V (4 6V 225 Ah batteries)	
Hydraulic system capacity	24.6 L	6.5 gal

WEIGHT		
CE	1,973 kg	4,351 lbs

STANDARDS COMPLIANCE		
ANSI/SIA A92.6		
CSA CAN3-B354.2-M82		
CE compliance option		
AS 1418.10		

\* Weight will vary depending on options and/or country standards

## Features

### STANDARD FEATURES

#### MEASUREMENTS

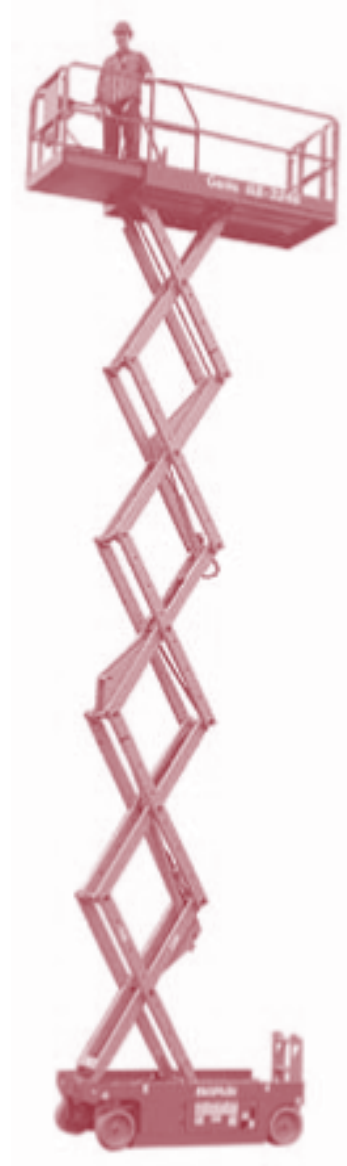
- 9.92 m (32 ft) working height
- Up to 454 kg (1,000lbs) lift capacity

#### PRODUCTIVITY

- 33.46 cm (36 in) roll-out platform extension
- Proportional controls for lift and drive functions
- AC wiring to platform
- Multiple disc brakes provide smooth deceleration
- Manual platform lowering valve
- Tilt sensor with an audible alarm
- Lift points
- Emergency stop switches at both platform and ground controls
- Automatic 25 amp battery charger
- Manual brake release
- Non-marking tyres
- Hour meter
- Platform swing gate
- Dual flashing beacons (standard)

#### POWER

- 24V (4 6V 225AH batteries) (all models)



### OPTIONS & ACCESSORIES

#### PRODUCTIVITY

- Automotive horn
- Motion alarm
- Air line to platform
- Maintenance-free batteries
- Platform work lights