

DURALIFT

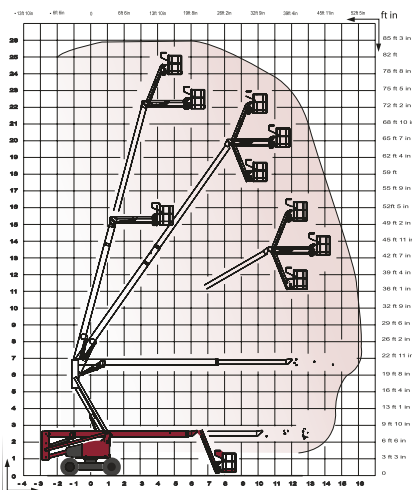
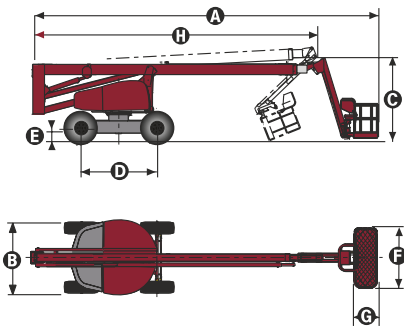
ELEVATED WORK PLATFORM HIRE

PHONE 1300 580 580

SPECIFICATION SHEET

80ft DIESEL

KNUCKLE BOOM



SPECIFICATIONS

Working height	25.6 m	84 ft 0 in
Platform height	23.6 m	77 ft 5 in
Horizontal outreach	16.2 m	53 ft 2 in
Up & over clearance	6.8 m	22 ft 4 in
Platform capacity	230 kg	507 lb
Fly jib range of motion	140° (+70°/-70°)	
A. Stowed length	12 m	39 ft 4 in
B. Width	2.38 m	7 ft 10 in
C. Stowed height	2.67 m	8 ft 9 in
D. Wheelbase	2.8 m	9 ft 2 in
E. Ground clearance	42 cm	17 in
F. X G. Platform size	1.8 m x 0.8 m	71 in x 31 in
H. Travel/transport length	9.50 m	31 ft 2 in
Tailswing	1.07 m	3 ft 6 in Drive
speed	0.45 – 4.5 km/h	0.28 – 2.8 mph
Outside turning radius	3.9 m	12 ft 10 in
Turntable rotation (continuous)	360°	
Hydraulic platform rotation	180°	
Gradeability	40%	
Engine	Diesel Deutz F4 L 2011 - 57 hp - 42 kW	
Tyres (foam filled)	15 R 22	
Hydraulic tank	150 l	40 gal Fuel tank
	150 l	40 gal Weight
	15.950 kg	35.170 lb