

DURALIFT

ELEVATED WORK PLATFORM HIRE

PHONE 1300 580 580

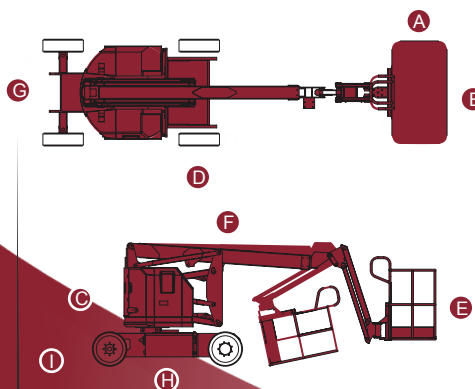
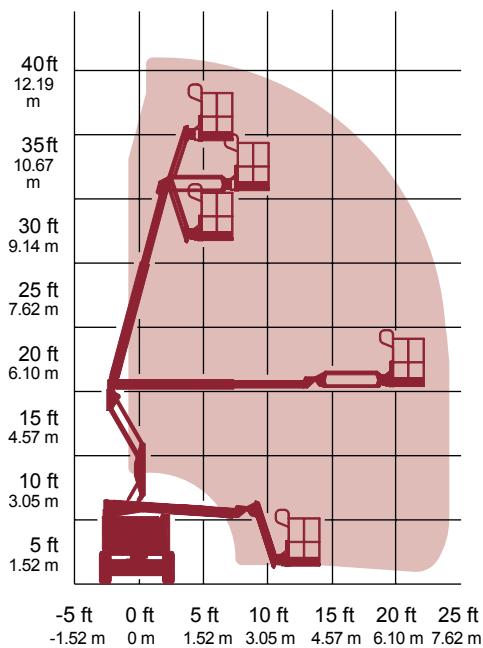
SPECIFICATION SHEET

3 4 f t E L E C T R I C

KNUCKLE BOOM

Specifications

RANGE OF MOTION Z™ -34/22



MODEL Z™ -34/22N

MEASUREMENTS	Metric	Imperial
Working height max**	12.5 m	41 ft
Platform height max	10.5 m	34 ft 4 in
Horizontal reach max	6.8 m	22 ft 4 in
Up and over clearance	4.6 m	15 ft 3 in
A Platform length	76 cm	2 ft 5 in
B Platform width	1.42 m	4 ft 6 in
C Height - stowed	2 m	6 ft 5 in
D Length - stowed	5.7 m	18 ft 7 in
E Storage height	2.26 m	7 ft 5 in in
F Storage length	4.2 m	13 ft 7 in
G Width	1.47 m	4 ft 8 in
H Wheelbase	1.88 m	6 ft 2 in
I Ground clearance	15 cm	5.34 in

PRODUCTIVITY

Lift capacity	227 kg	500 lb
Platform rotation	160°	
Turntable rotation	355° non-continuous	
Tailswing	zero	
Drive speed - stowed	0-5.6 km/h	0-3.5 mph
Drive speed - raised*	0-1 km/h	0-0.6 mph
Gradeability	35%	
Turning radius (inside)	1.83 m	6 ft
Turning radius (outside)	3.9 m	12 ft 8 in
Controls	proportional drive and lift	
Tyres (solid rubber, no-marking)	60 cm x 18 cm x 45 cm	23 x 7 x 17.75 in

POWER

Power source	8 group - 4H (6V 315 AH batteries)	
Hydraulic tank capacity	19 L	5gal

WEIGHT***

	5,216 kg	11,500 lbs
--	----------	------------

STANDARDS COMPLIANCE

ANSI/SIA A92.5
 CSA CAN3-B354.4-M82 CE
 compliance option AS1418.10