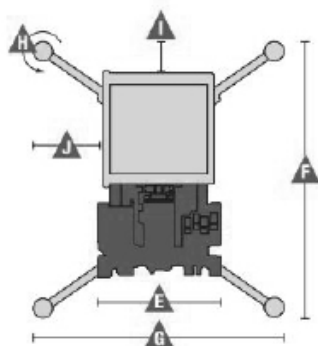
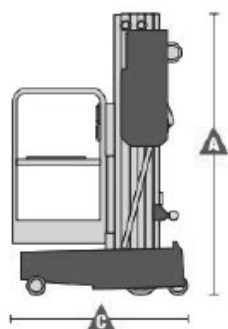


ELEVATED WORK PLATFORM HIRE

## SPECIFICATION SHEET

### MAST LIFT

11m/AWP 30



## SPECIFICATIONS

### MEASUREMENTS

Working height	11 m
Platform height	9 m
<b>A</b> Height - stowed	1.98 m
<b>C</b> Length - stowed	1.35 m
<b>E</b> Width	0.74 m

### PRODUCTIVITY

Lift capacity	159 kg
<b>F G</b> Outrigger footprint (l/w)	1.93 x 1.73 m
<b>H</b> Corner access	0.56 m
<b>I J</b> Wall access front/side	0.20 x 0.53 m
Platform Dimensions	0.69 x 0.66 x 1.14 m

### POWER

Power source	12V DC / 220/50-60 Hz AC
--------------	--------------------------

### WEIGHT

393kg

