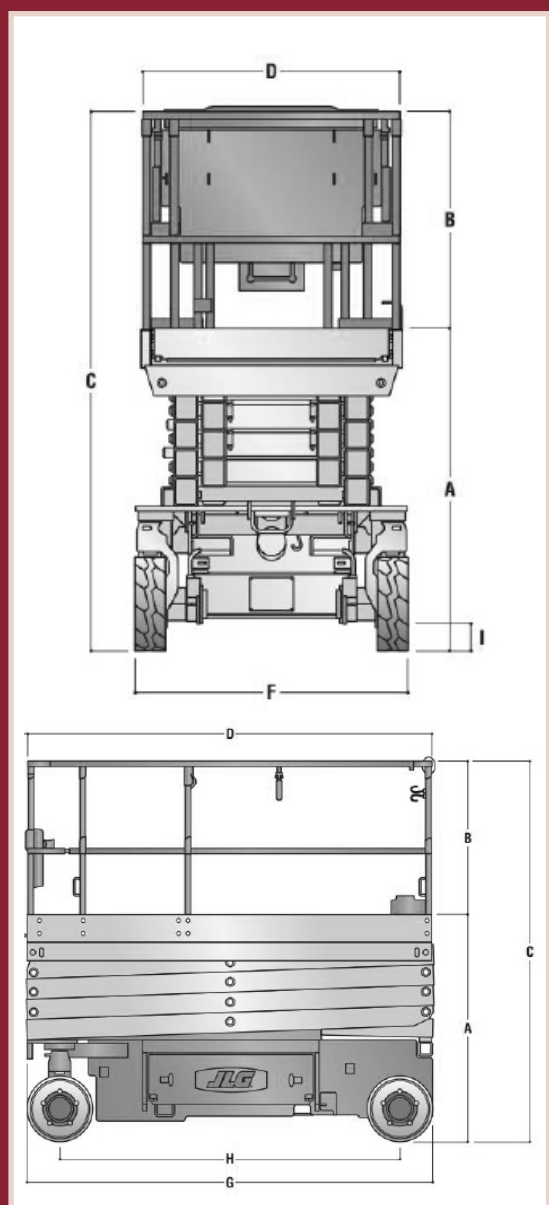


ELEVATED WORK PLATFORM HIRE

SPECIFICATION SHEET

SCISSOR LIFT

12m/32ft ELECTRIC



SPECIFICATIONS

MEASUREMENTS

Working height max	11.68 m
Platform height max	9.68 m
A Platform height - lowered	1.26 m
Platform railing height	1.10 m
C Height - stowed	2.36 m
rails folded	1.97 m
D Platform width	1.12 m
F Overall width	1.17 m
G Platform length - outside	2.50 m
extended	3.77 m
Roll-out platform extension	1.27 m
H Wheelbase	2.09 m
I Ground clearance - centre	.13 m

PRODUCTIVITY

Lift capacity	320 kg
Drive speed	0.8 km/h
Gradeability	25%/14°
Turning radius - inside	zero
Turning radius - outside	2.41 m
Raise / lower speed	50 / 50 sec
Tyres - solid non-marking	15 x 5 x 11 in

POWER

Power source	24 V (4 6V 225 Ah batteries)
--------------	------------------------------

WEIGHT

2,870 kg

