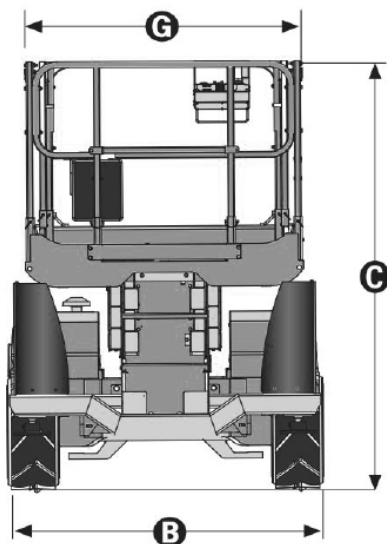
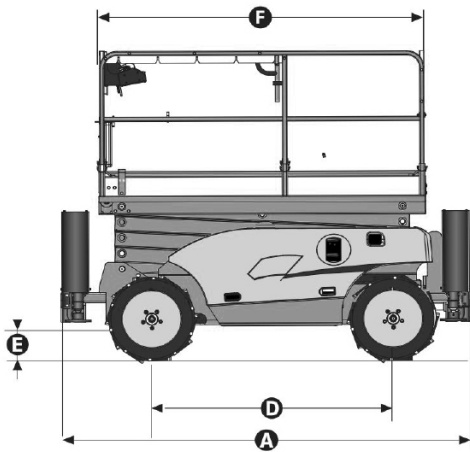


ELEVATED WORK PLATFORM HIRE

## SPECIFICATION SHEET

# SCISSOR LIFT

10m/26ft DIESEL



## SPECIFICATIONS

### MEASUREMENTS

Working height maximum	9.92 m
Platform height maximum	7.92 m
Platform height - stowed	1.50 m
<b>F</b> Platform length - outside	2.51 m
extended	3.96 m
Slide-out platform extension deck	1.52 m
<b>G</b> Platform width - outside	1.55 m
<b>C</b> Height - stowed	2.32 m
Platform	1.70 m
<b>A</b> Length - stowed with outriggers	3.38 m
<b>B</b> Width	1.73 m
<b>D</b> Wheelbase	1.85 m
<b>E</b> Ground clearance - centre	0.20 m

### PRODUCTIVITY

Lift capacity	567 kg
Extension deck capacity	136 kg
Drive speed - stowed	5.5 km/h
Drive speed - raised	0.8 km/h
Gradeability	35%
Maximum Outrigger leveling:	
front to back	6.6°
side to side	10.6°
Turning radius - inside	1.52 m
Turning radius - outside	3.68 m
Raise/lower speed	35 / 40 sec
Drive	four wheel
Tyres - rough terrain	26 x 12 x 12

### POWER

Fuel tank capacity	56.8 L
Hydraulic system capacity	62.5 L

### WEIGHT

With Outriggers	3,415 kg
-----------------	----------

