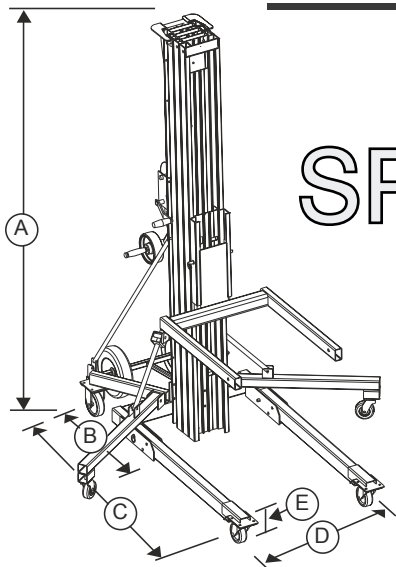


DURALIFT

ELEVATED WORK PLATFORM HIRE

PHONE 1300 580 580



SPECIFICATION SHEET

DUCTLIFT

Specifications

Model

SLC-18

SLC-24

	Metric	US
(A) Height - stowed	2.18 m	86 in
(B) Length - stowed	86 cm	34 in
(C) Length - operating	1.85 m	73 in
(D) Width	80 cm	31 1/2 in
Width-stabilisers lowered	1.68 m	66 in
(E) Ground clearance	5 cm	2 in
Load height - min	15 cm	6 in
Weight - standard base	139 kg	307 lb
Average cranks		
-Standard winch	27.8 /m	8 1/2 /ft
-Two-speed winch, high	13.1 /m	4 /ft
-Two-speed winch, low	49.2 /m	15 /ft

	Metric	US
(A) Height - stowed	2.18 m	86 in
(B) Length - stowed	86 cm	34 in
(C) Length - operating	2.06 m	81 in
(D) Width	80 cm	31 1/2 in
Width-stabilisers lowered	1.68 m	66 in
(E) Ground clearance	5 cm	2 in
Load height - min	15 cm	6 in
Weight - standard base	170 kg	374 lb
Average cranks		
-Standard winch	27.8 /m	8 1/2 ft
-Two-speed winch, high	13.1 /m	4 /ft
-Two-speed winch, low	49.2 /m	15 /ft

Portable material lift for construction and industrial applications.



Load Capacity

36 cm (14 in) load centre	295 kg	650 lb
61 cm (24 in) load centre	193 kg	425 lb
1.07 m (42 in) load centre		180 lb

36 cm (14 in) load centre	295 kg	650 lb
61 cm (24 in) load centre	193 kg	425 lb
1.07 m (42 in) load centre		180 lb

36 cm (14 in) load centre	295 kg	650 lb
61 cm (24 in) load centre	193 kg	425 lb
1.07 m (42 in) load centre	73 kg	160 lb

Working Height

Standard forks

forks down	5.1 m	16 ft 9 in	6.78 m	22 ft 3 in
forks up	5.64 m	18 ft 6 in	7.32 m	24 ft

Adjustable forks

forks down	5.1 m	16 ft 9 in	6.78 m	22 ft 3 in
forks up	5.64 m	18 ft 6 in	7.32 m	24 ft

Boom

Boom	5.41 m	17 ft 9 in	7.1 m	23 ft 3 in
------	--------	------------	-------	------------

Load Handling Attachments

	Length	Width	Depth	Weight
Standard forks	71 cm 28 in	58 cm 23 in	6 cm 2 1/2 in	12 kg 26 1/2 lb
Adjustable forks	70 cm 27 1/2 in	28-76 cm 11-30 in	6 cm 2 1/2 in	24 kg 52 1/2 lb
Fork extensions (each)	76 cm 30 in	5 cm 2 in	8 cm 3 in	2 kg 4 1/2 lb
Boom	46-107 cm 18-42 in	4 cm 1 1/2 in	15 cm 6 in	16 kg 34 1/2 lb
Pipe cradle	70 cm 27 1/2 in	61 cm 24 in	15 cm 6 in	4.5 kg 10 lb
Load platform	67 cm 26 1/4 in	58 cm 23 in	6 cm 2 1/2 in	12 kg 26 1/2 lb